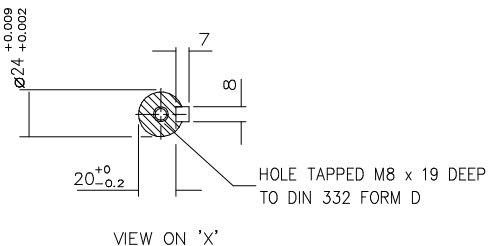
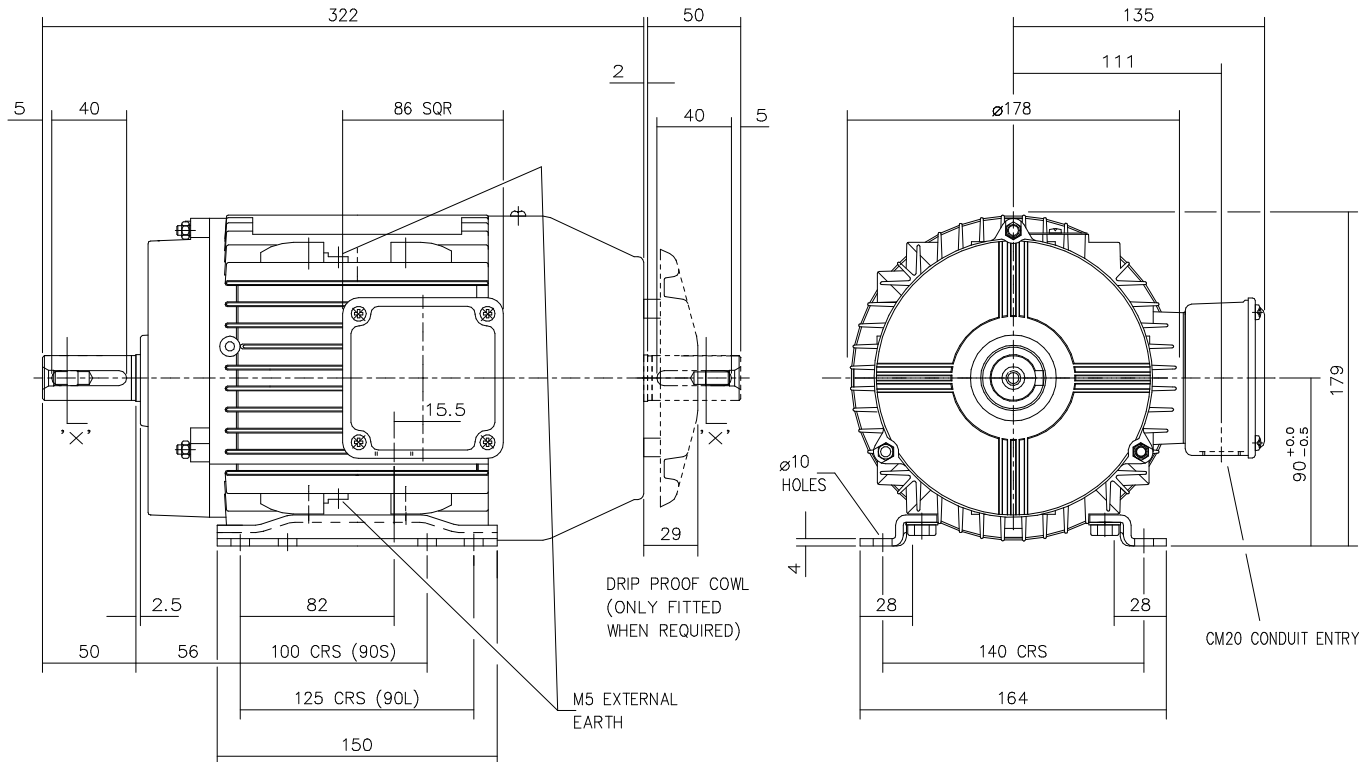


DRG. No. W90GF000/1

DRG. REF.



DRIP PROOF COWL
(ONLY FITTED
WHEN REQUIRED)

M5 EXTERNAL
EARTH

CM20 CONDUIT ENTRY

TERMINAL BOX POSITION:- CAN BE ARRANGED AT EITHER 9,12 OR 3 O'CLOCK BY MOVING
STANDARD TERMINAL BOX POSITION IS 3 O'CLOCK AS SHOWN.
CONDUIT ENTRIES:- TERMINAL BOX CAN BE ROTATED AT 90° INTERVALS
(CONDUIT ENTRY POSITION SHOWN FOR ILLUSTRATION ONLY).

CUSTOMER		
ORDER No.		
PART No.		
OUR ORDER No.		
FRAME SIZE		
KW.	RPM.	
Hz	PHASE	
VOLTS	POLES	
BRGS.	DE.	NDE.
MOTOR NETT WT.		Kg.
SPECIAL REMARKS		

ALL DIMENSIONS IN MILLIMETRES.



**BROOK
CROMPTON**

Huddersfield, HD1 3LJ
ENGLAND

SHEET SIZE	TITLE
A3	OUTLINE DIMENSION DRAWING W ALUMINIUM TOTALLY ENCLOSED FAN COOLED 90S/L FRAME FOOT MOUNTED MOTOR

	NAME	DATE
DRAWN	RS.	11/03/97
CHECKED	IMT	11/03/97
SCALE	1:2.5	

DRG. No.	W90GF000/1		
DRG. REF.			
REVISION:	VLS	DATE	31.10.98